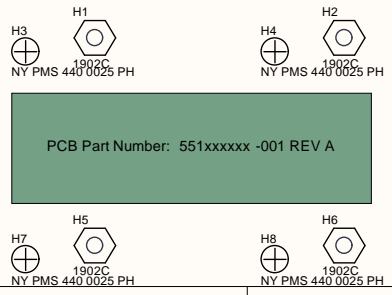
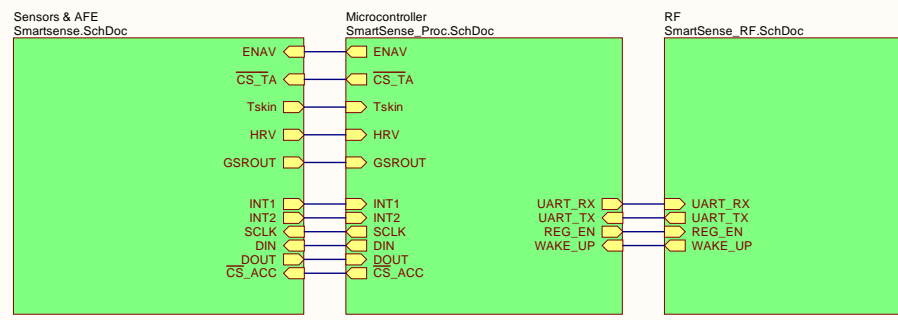


Revision History	
Revision	Notes



National Semiconductor and/or its licensors do not warrant the accuracy or completeness of this specification or any information contained herein. National and/or its licensors do not warrant that this design will meet the specifications, will be suitable for your application or fit for any particular purpose, or will operate in an implementation. National and/or its licensors do not warrant that the design is production worthy. You should completely validate and test your design implementation to confirm the system functionality for your application.

Designed for: Public Release	Mod. Date: 7/12/2011
Project: Change me in menu Project\Project Options\Parameters	Sheet: 1 of 2
Sheet Title: Cover Sheet	Rev: X1
Size: B	Schematic: 870xxxxx
Assembly Variant: [No Variations]	
File: Smartsense_Cover Sheet.SchDoc	
Contact: <a href="http://www.national.com/support">http://www.national.com/support</a>	



<http://www.national.com>  
© Copyright, National Semiconductor, 2010